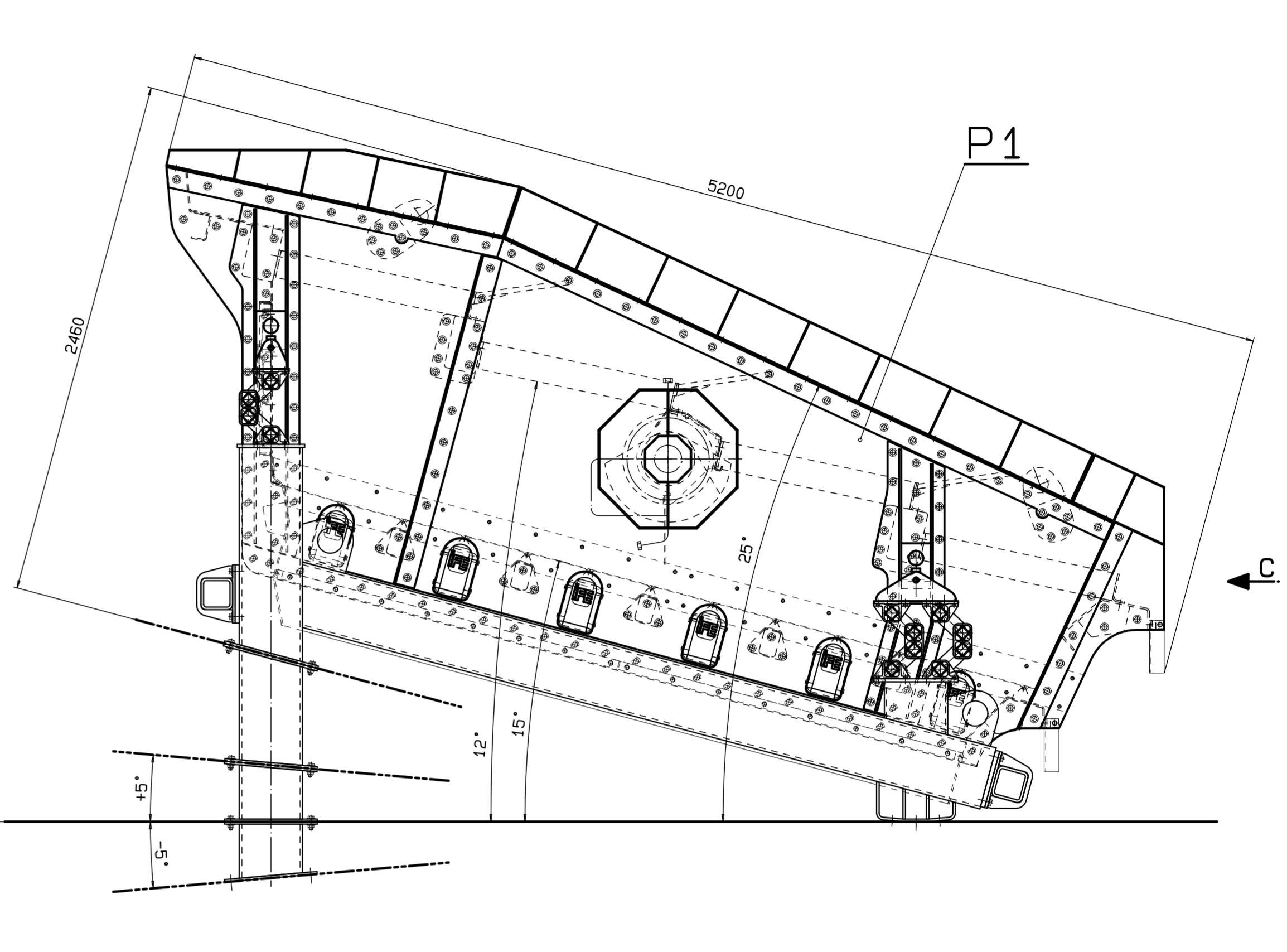
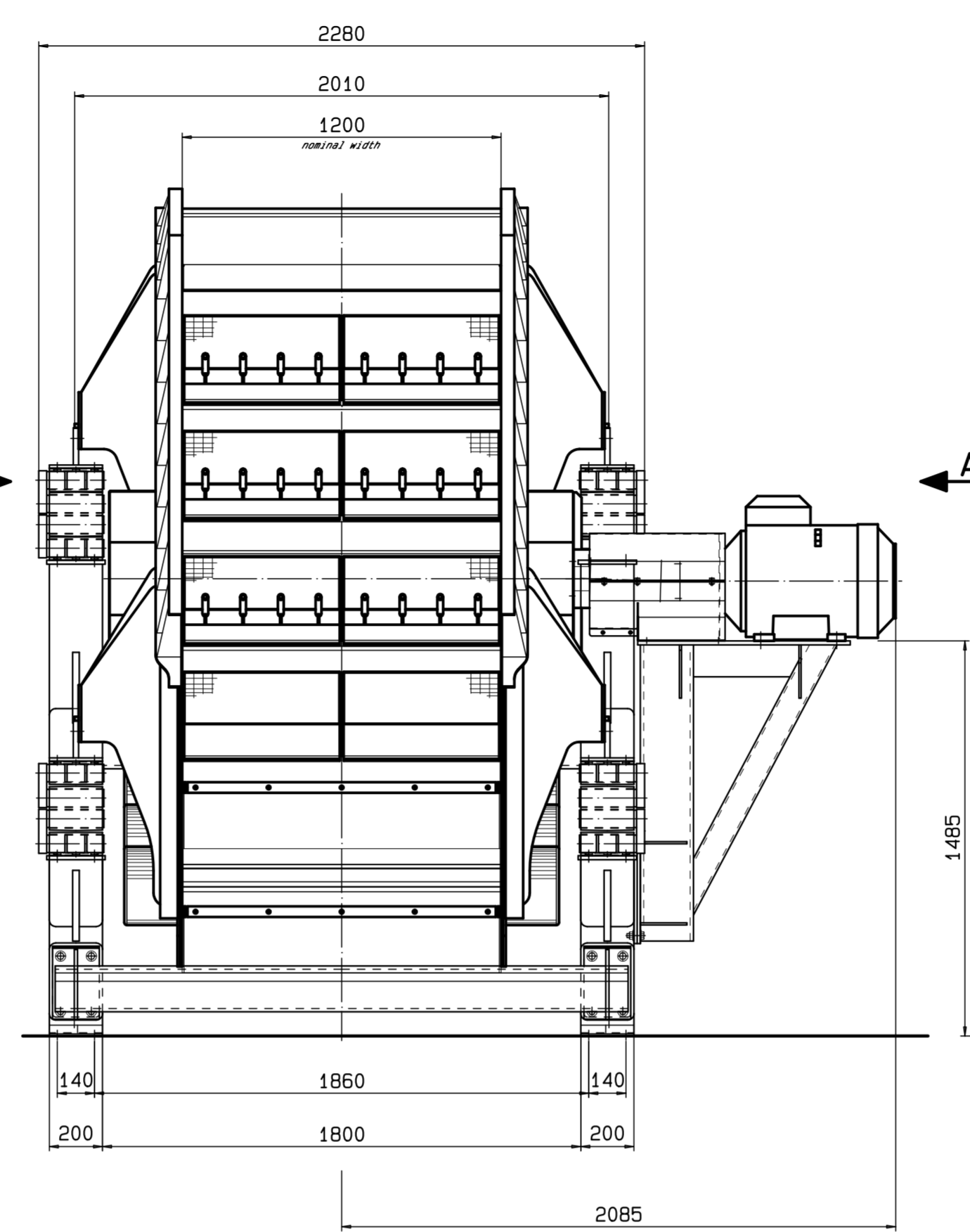
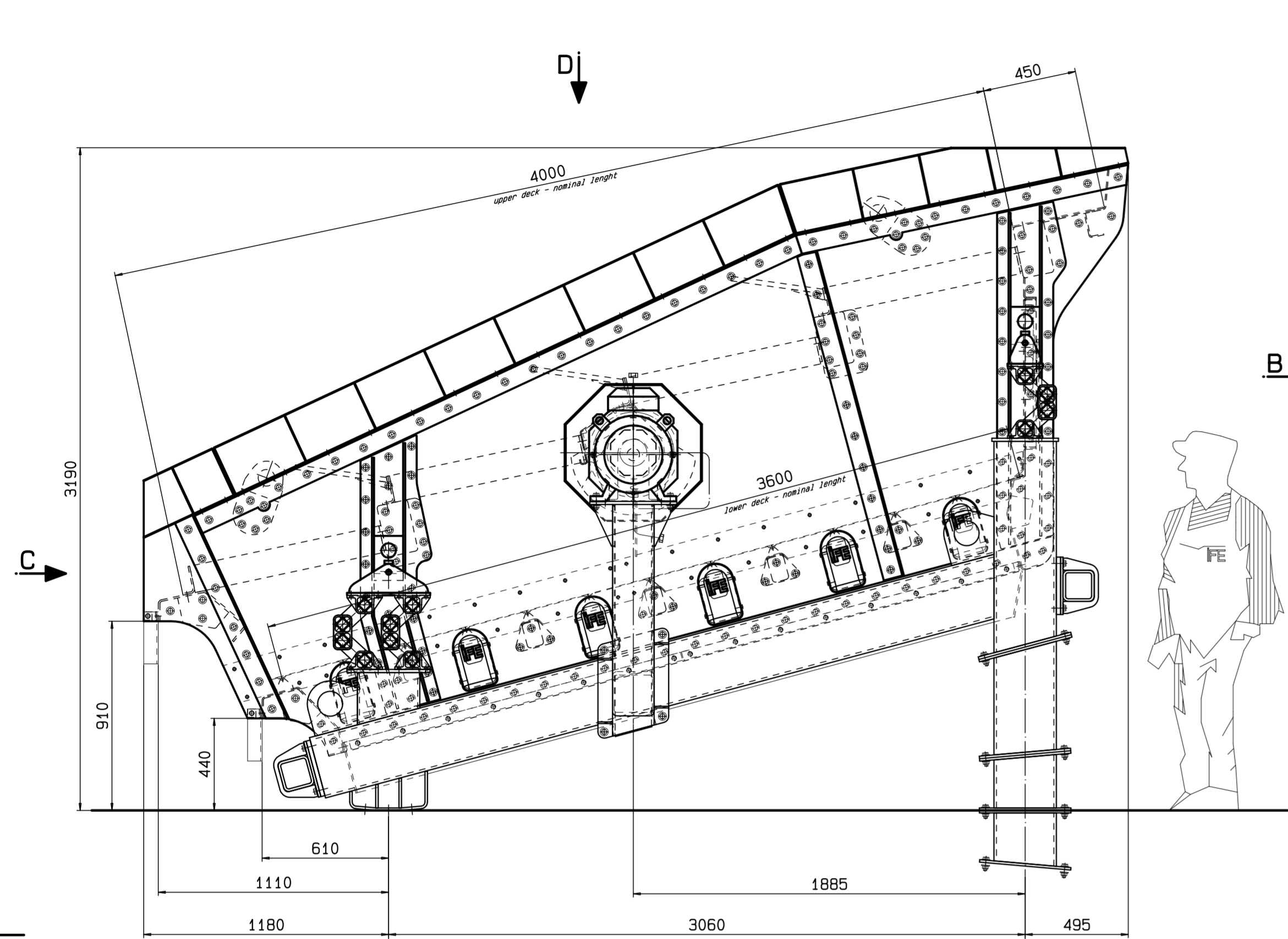


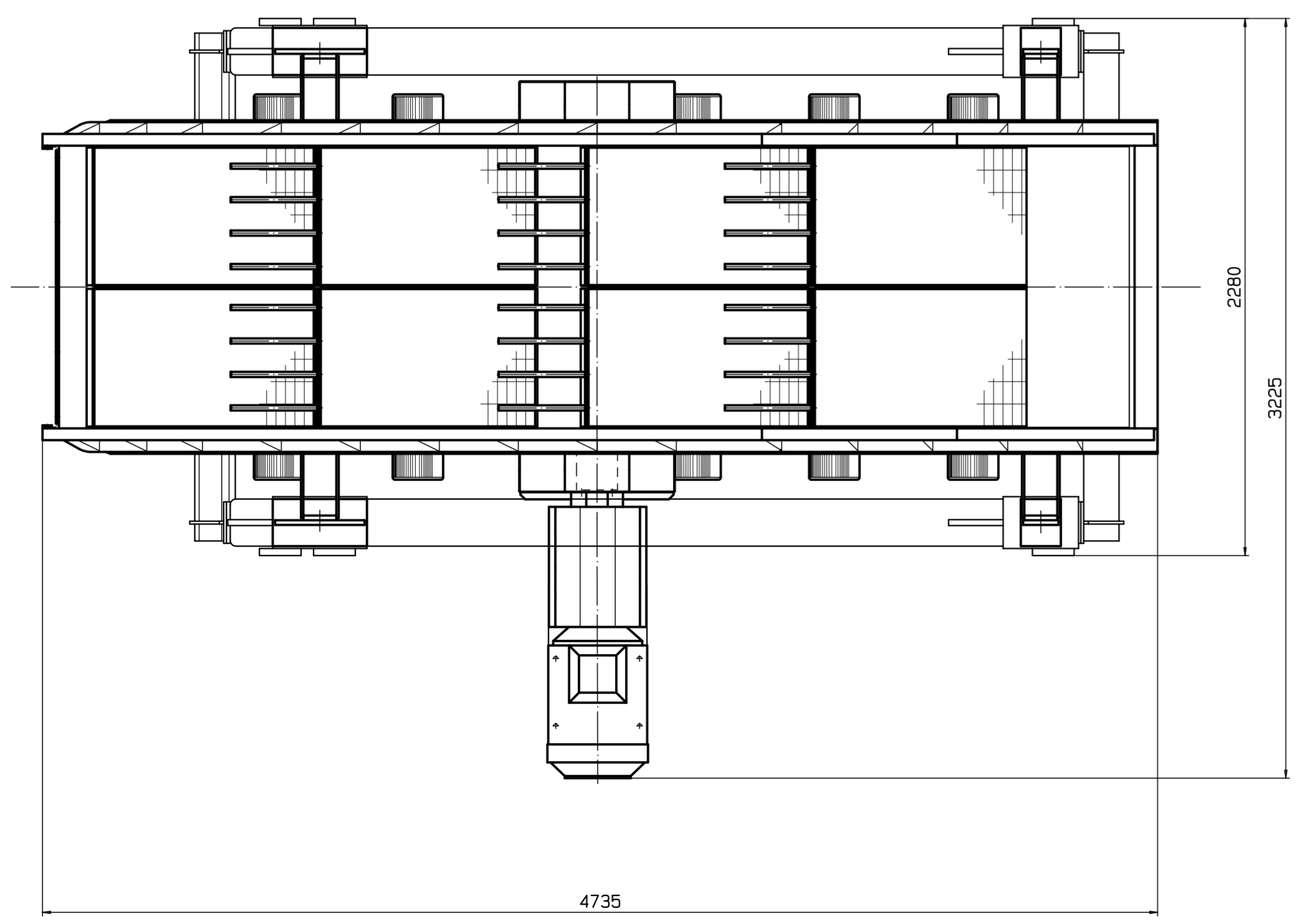
ANSICHT A
VIEW

ANSICHT C
VIEW

ANSICHT B
VIEW



ANSICHT D
VIEW



ATTENTION

- distance between vibrating and non-vibrating parts has to be
 - horizontal: min.100mm
 - vertical: min.120mm
- support has to be controlled by static and natural frequencies
- shipping data without packaging
 - screen+support LxBxH 5200x2280x2460 [mm] / ~5800 [kg]
 - drive unit+support LxBxH 600x1200x1800 [mm] / ~500 [kg]
- drive unit
 - motor: P=18.5 [kW] / n=740 [rpm] / 400 [V] / 50 [Hz]
 - position: mounted on left hand side
 - torque: starting torque has to be at least 2x, at most 2.5x nominal torque at a speed range of 0-300 rpm
- not included in IFE delivery:

P1 waste screen SMV 1200x4000 F-UW24

vibrating mass: 4170 kg

static		dynamic				frequency				
		normal operation conditions		starting and stopping		9-14 Hz				
vertical	horizontal	vertical	horizontal	vertical	horizontal	stopping/starting				
F1	F2	F1	F2	F1	F2	F1	F2	total weight		
1390	1700	±250	±400	±125	±200	±1000	±1600	±500	±800	6180 kg

Verwendbar für / useable for: 51.1447

Maße ohne Toleranzangaben
Dimensions without tolerance

ISO 2768: cK

Oberflächen
Surface
EN ISO 1302

Skala
Scale
1:20

Werkstoff / Material

Erstellt durch
Prepared by
Datum
Date

Geprüft durch
Checked by
Datum
Date

Benennung / Titel
waste screen
SMV 1200x4000 F-UW24

Zeichnungsnummer / Drawing No.
S114594R02

Blatt
Sheet
01/01